



BOWLING  
SINCE 1975

**ALL PROSPERITY ENTERPRISE CO., LTD.**  
**LONG TSUEN INDUSTRIAL CO., LTD.**  
**BOWLING BRAND STAINLESS STEEL**  
**SERIES ABV AUTOMATIC BREATHING VALVE**  
**made in Taiwan**



BOWLING AUTOMATIC BREATHING VALVE is a reliable automatic venting and breathing device and is suitable for venting and breathing of air or gas in from pipeline system such as heating systems.

**Technical Data:**

**Size:** 3/8" – 1" (15mm – 25 mm) **Thread Connection:** NPT/BSPT/BSPP

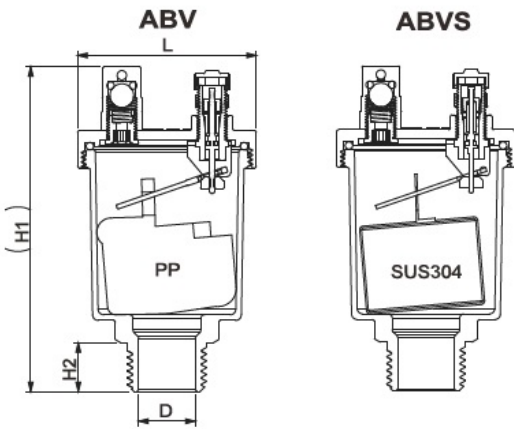
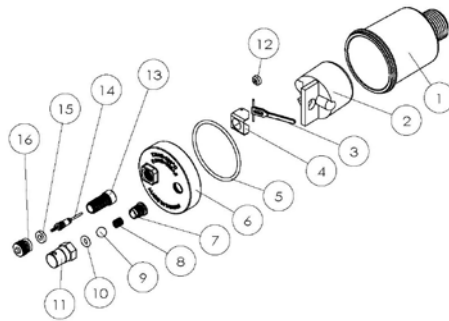
**Max. Temperatures:** +200°C; **Max. Pressure:** 20 BAR for Float Ball SUS304

**Max. Temperatures:** +100°C; **Max. Pressure:** 10 BAR for Float Ball PP

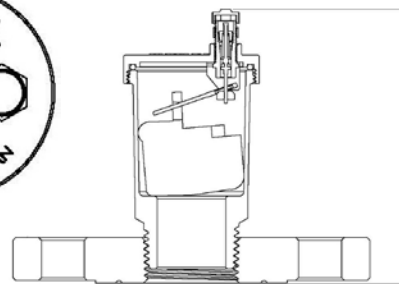
**Fluid:** Pure water (Floating Ball in PP or SUS304); Light Oil (Floating Ball in SUS304 only)

**Material:**

No.	ABV	MATERIAL
1	VALVE BODY	CF8/ CF8M
2	FLOAT BALL	PP/ SUS304
5	O-RING	SILICON
6	VALVE CAP	CF8/ CF8M
16	INTAKE CAP	BRASS

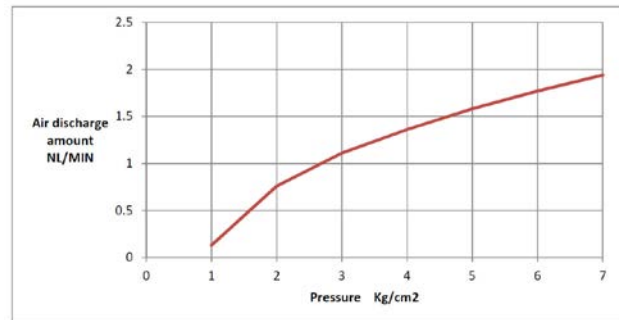


**Optional: Flanged connection**



**DIMENSIONS (Unit: mm)**

Dimension mm				
Size P	L	H1	H2	D
3/8"	47.5	84.4	12.5	11
1/2"		86.7	13	15
3/4"		88.7	15	20.5
1"		91.7	16	24



**NOTE:**

Make sure it must be clean in pipeline system before installation. It is not allowed that there is any impurity stuck at the exhaust hole.

**HOW TO ORDER:**

**TYPE BALL SIZE THREAD PRESSURE**  
ABVS SUS304 1/2" NPT 5 BAR

